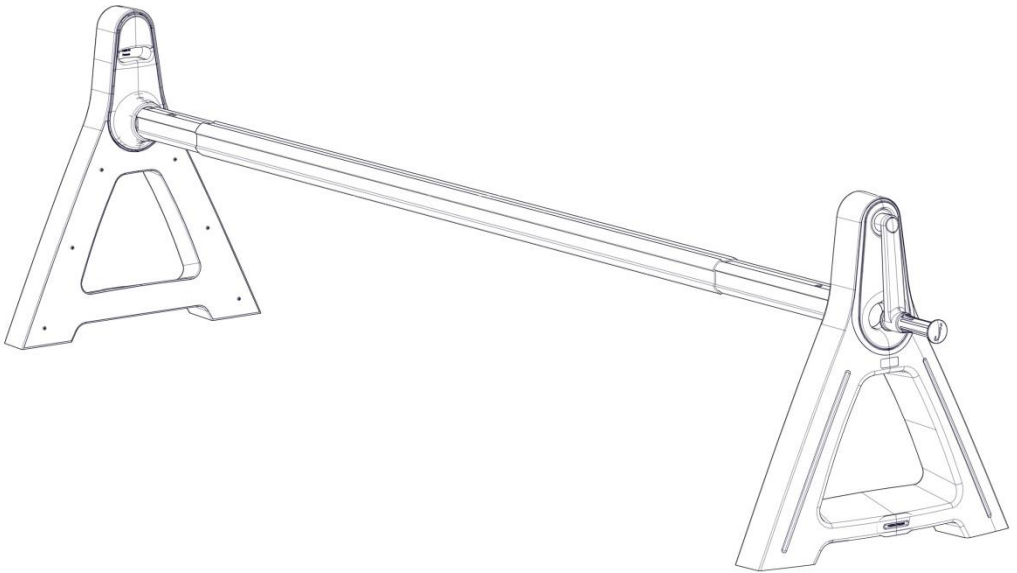
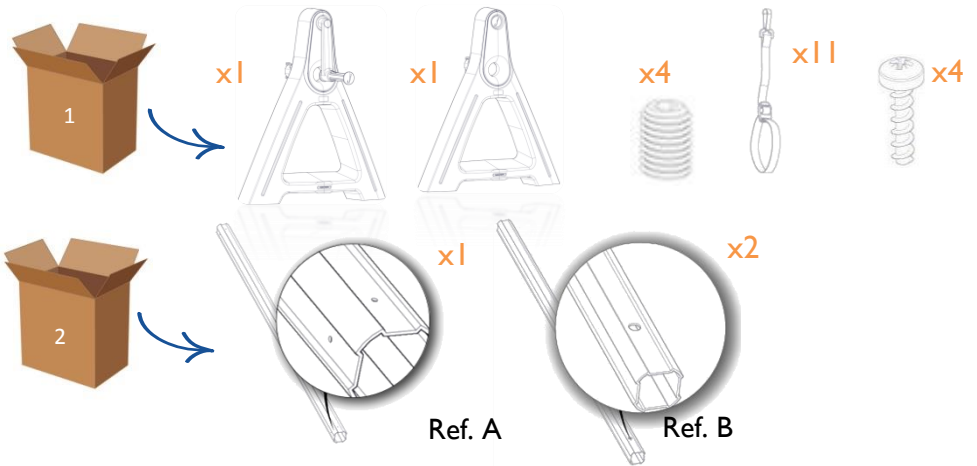


JD ROLLER

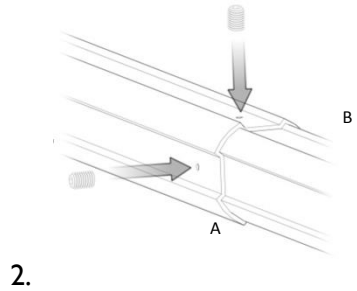
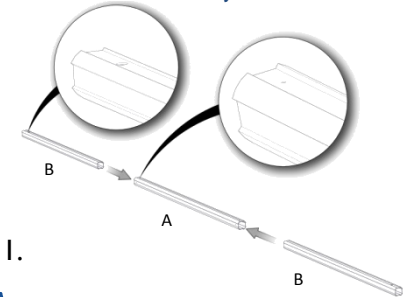
INSTALLATION AND OPERATING GUIDE



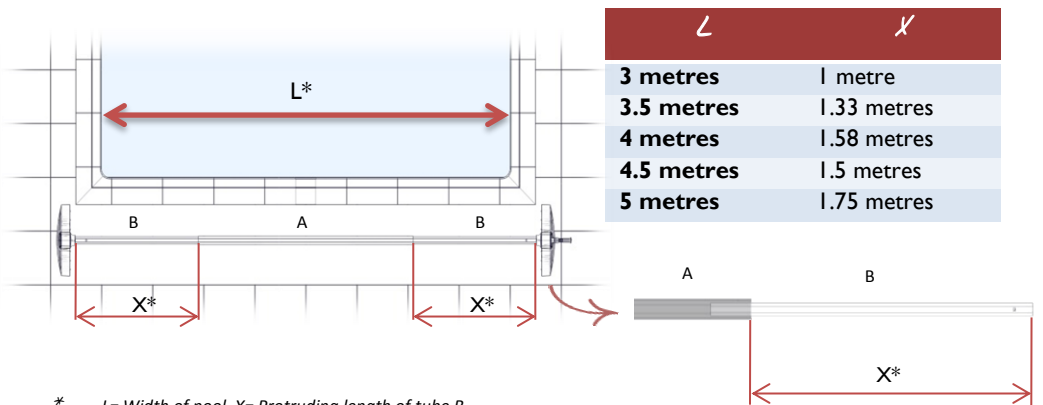
* Contents of the boxes

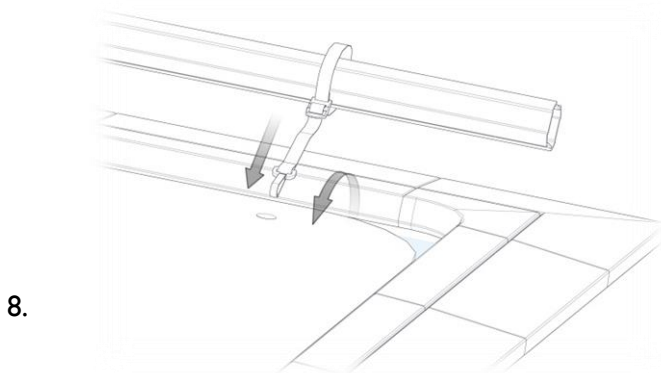
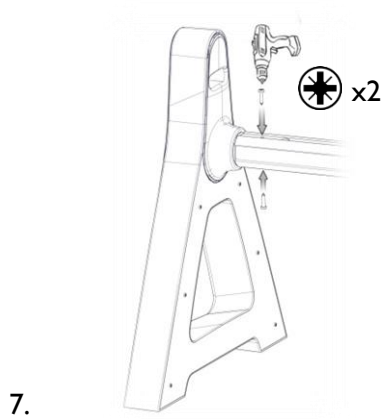
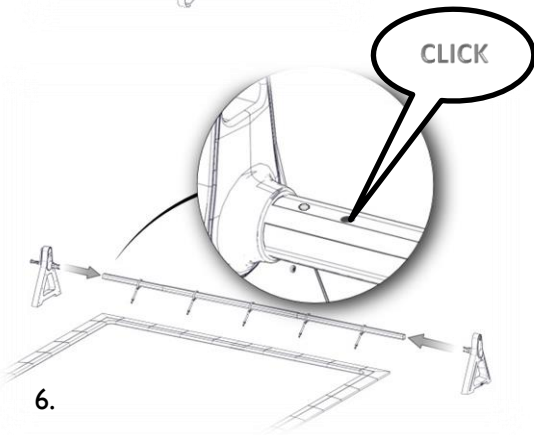
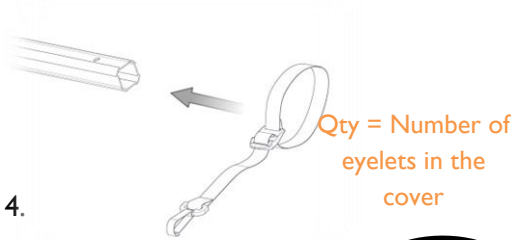
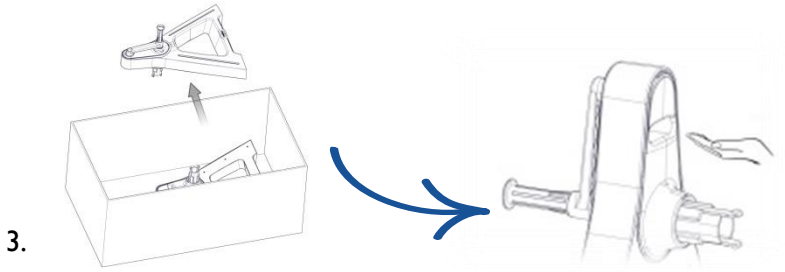


* Assembly steps



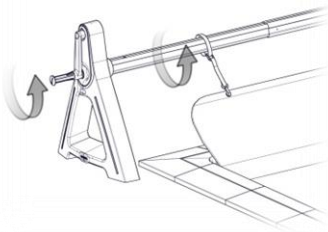
→ Installation diagram





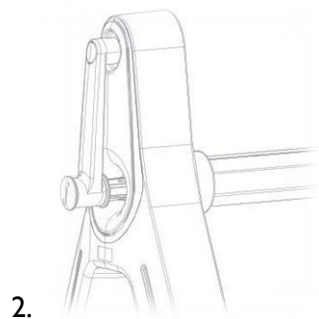
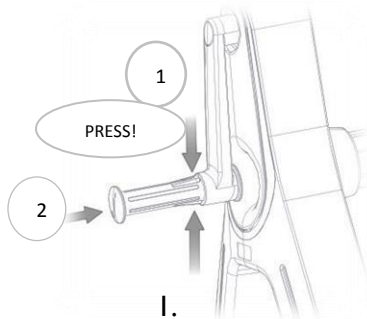
* Operating principle

- Roll up the cover

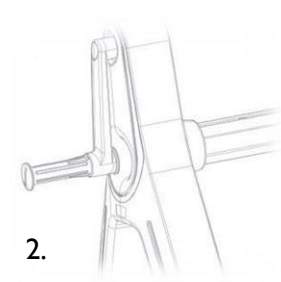
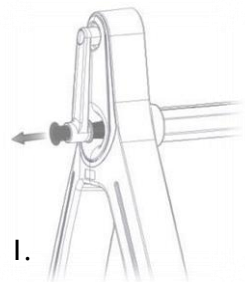


- Lock and unlock the JD Roller

Lock



Unlock



- Unroll the cover

